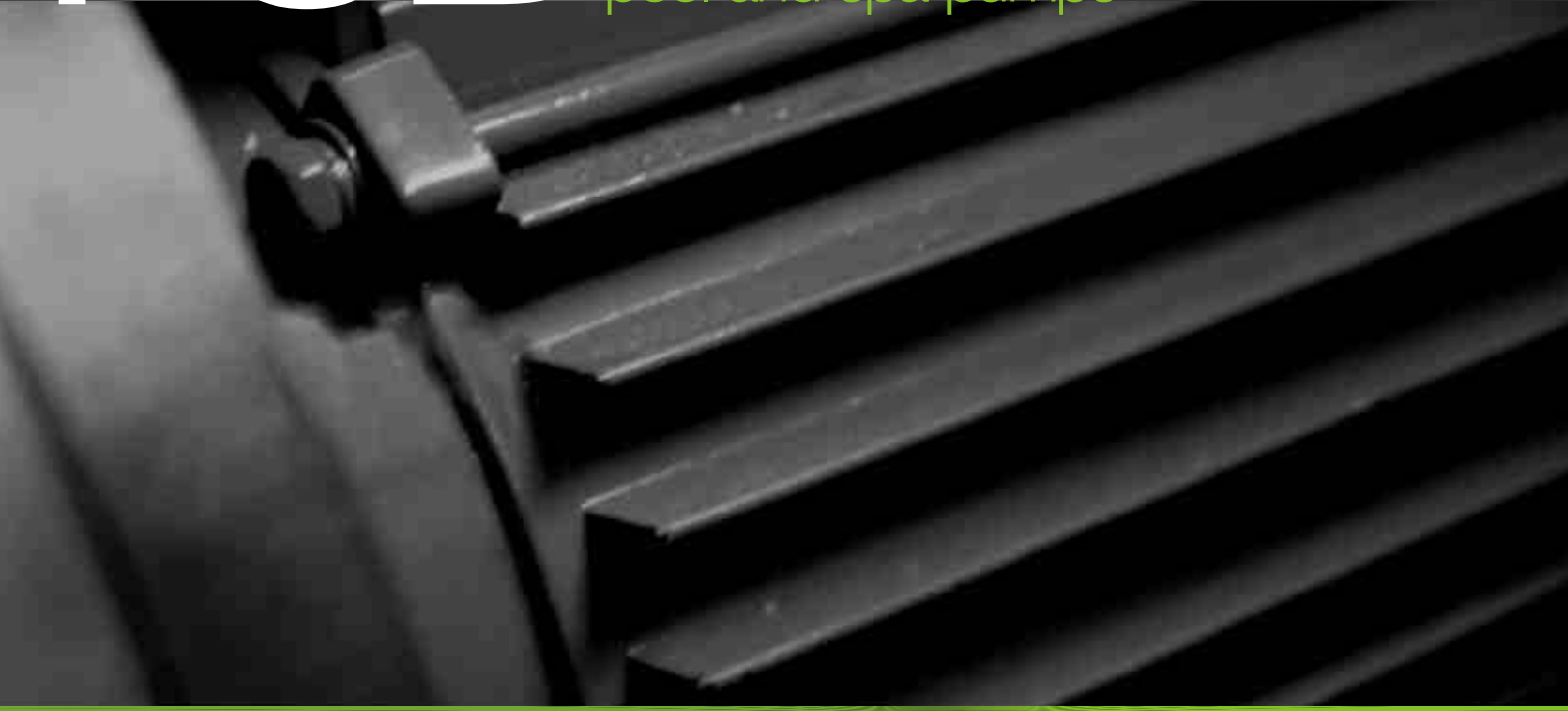




NORIA
performance on demand

POD

pool and spa pumps

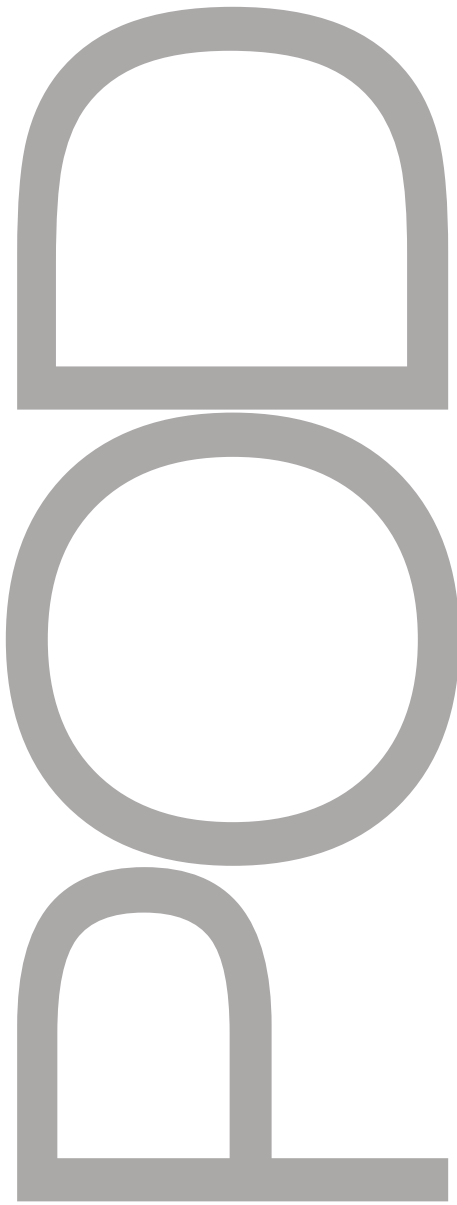


Ruggedly enduring, aesthetically pleasing and designed to survive the elements. The Noria POD pool and spa pumps provide the best performance on demand.



A PERFORMANCE PRODUCT BY

 **focus**
PRODUCTS PTY LTD
www.focusproducts.com.au



POD SERIES POOL & SPA PUMPS

In-floor cleaning systems, multi-jet spas and salt chlorinators cause huge demands on pump performance by increasing the head pressure. Noria POD pumps are intelligently designed to easily meet demand and give optimum performance at greatly reduced noise levels.

POD pumps use less power in less hours yet move more water reducing the pool operating costs. Quality materials and workmanship, rigid construction and a single piece of super tough and highly stable reinforced thermoplastic make the body of POD pumps outstandingly

durable. The POD difference continues with the use of stainless steel shafts for strength. Larger hair and lint pots reduce the need for frequent cleaning. The research invested in POD pumps reflects in the user-friendly, easy to open inspection lids and barrel unions.

The POD pump is part of a range of intensively researched, high quality, connected products that work in harmony to ensure the pool is easy to maintain and ready for use at any time.

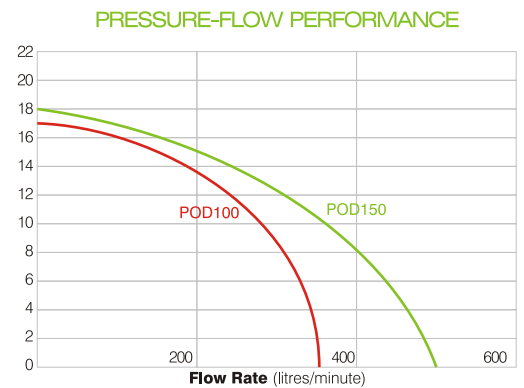
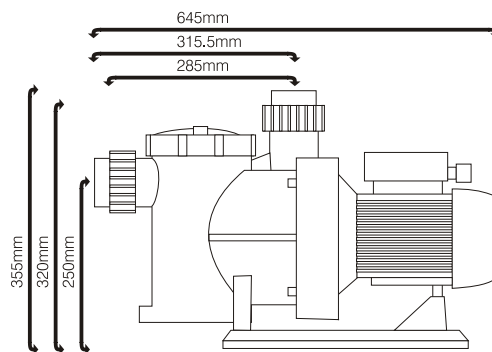
SPECIFICATIONS

Product	Flow Rate*	Horse Power	Watts
POD100	330	1hp	1260
POD150	435	1.5hp	1500

*Flow rate calculated at a 6 metre head

WARRANTY

Each POD pump is covered by a limited 3 year warranty against defects on workmanship and materials. The instruction manual that accompanies the POD pump provides more information.



AVAILABLE FROM



A PERFORMANCE PRODUCT BY

